

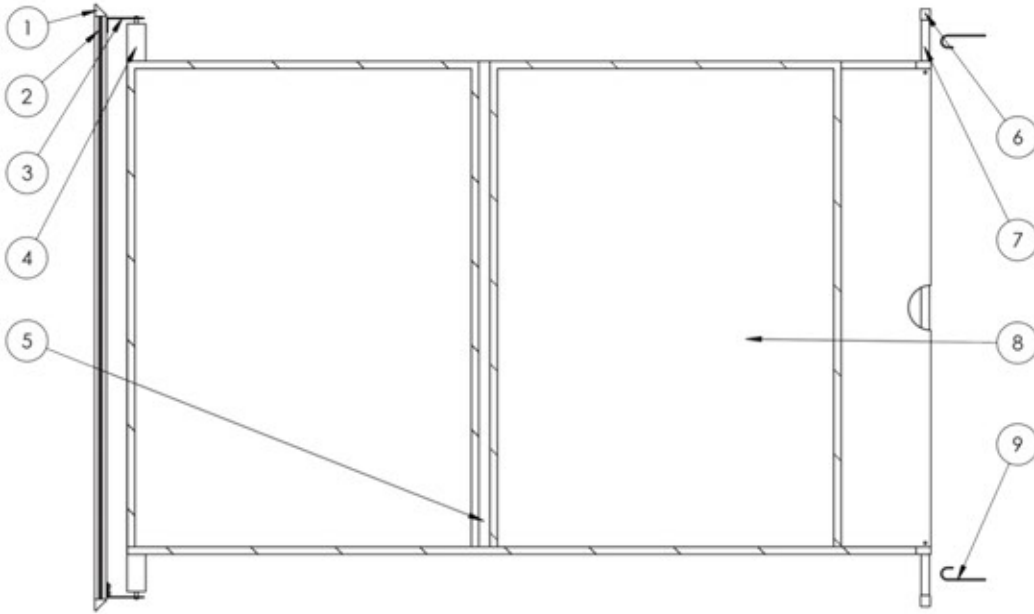
FIXED POST

MOBILE POST

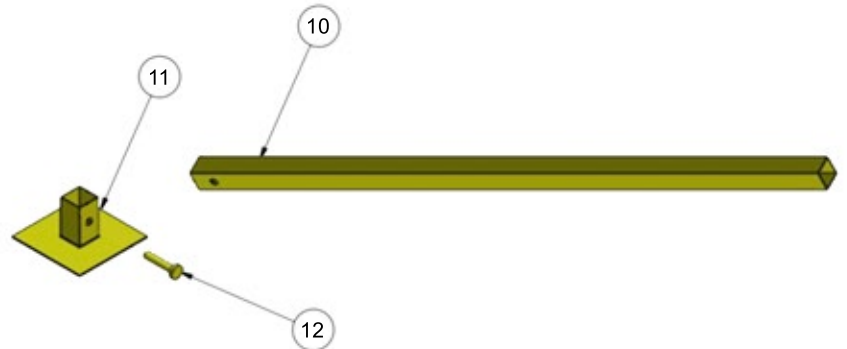
AKON

RETRACTABLE WELD SCREEN INSTALLATION GUIDE

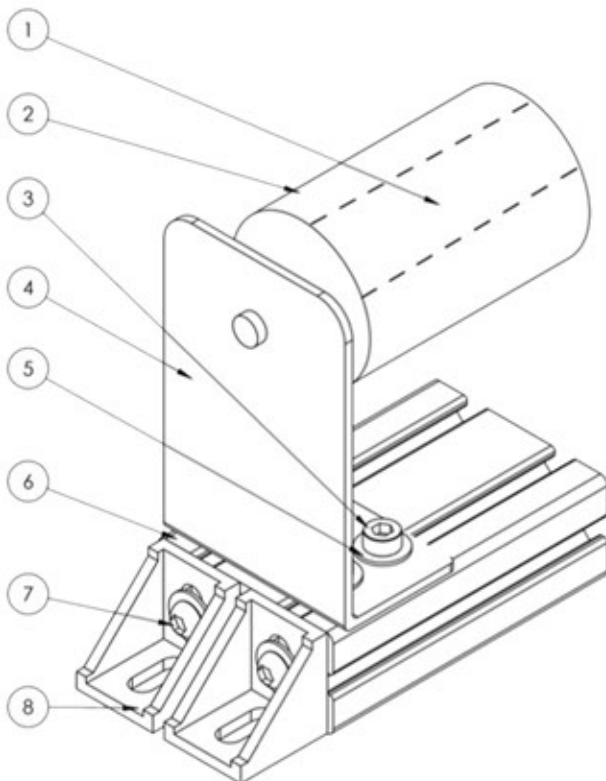
PARTS LIST



Item #	Part #	Description	Qty.
1	RT011	Mounting Bracket	4
2	RT012	Aluminum Backing	1
3	RT013	Roller Bracket	2
4	RT014	Roller Tube	1
5	RT015	Fiberglass Stay Bar	4+
6	RT016	End Cap	2
7	RT017	Pull Bar	1
8	RT018	Curtain Blade	1
9	RT019	J-Hooks	2



Item #	Part #	Description	Qty.
10	MP010	Post	1
11	MP011	Base	1
12	MP012	Bolt	1
13	MP013	Nut	1

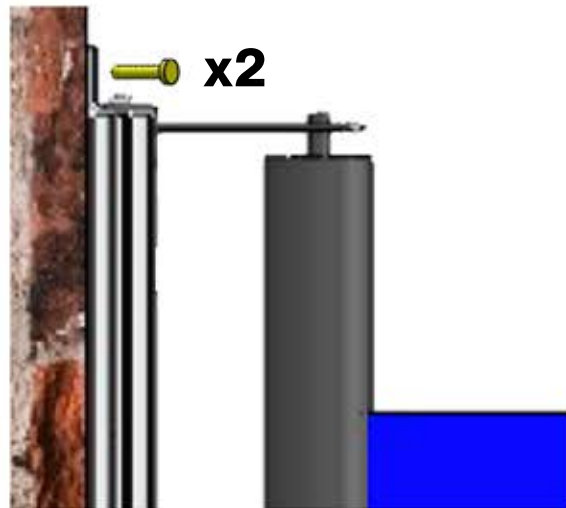


Item #	Part #	Description	Qty.
1	RT020	Spring Assembly	1
2	RT014	Roller Tube	1
3	RT021	M8 Fastener	8
4	RT013	Roller Bracket	2
5	RT022	M8 Washer	8
6	RT012	Aluminum Backing	1
7	RT023	M6 Fastener	4
8	RT011	Mounting Bracket	4

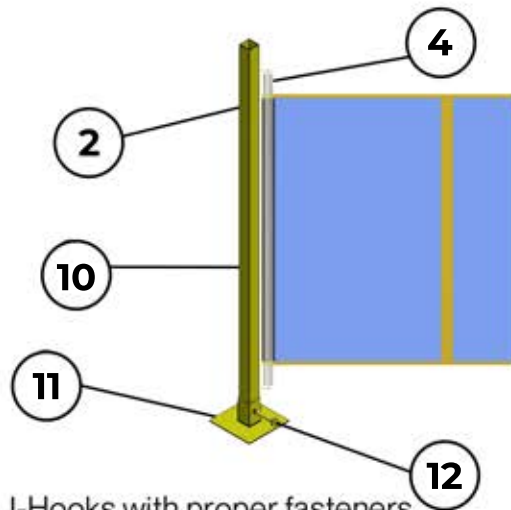
MOUNTING THE RETRACTABLE WELD SCREEN

Wall/Beam Mounting

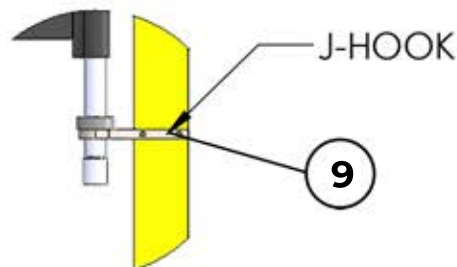
1. Lift, plumb and clamp unit in place (if possible).
2. Secure with fasteners.



3. Pull curtain closed and locate the J-Hooks.



4. Secure J-Hooks with proper fasteners.

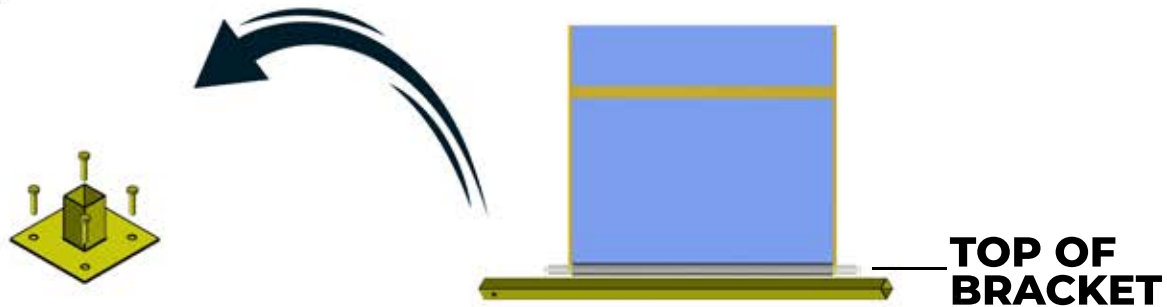


Parts List			
Item #	Part #	Description	Qty.
2	RT012	Aluminum Backing	1
4	RT014	Roller Tube	1
9	RT019	J-Hooks	2
10	MP010	Post	1
11	MP011	Base	1
12	MP012	Bolt	1

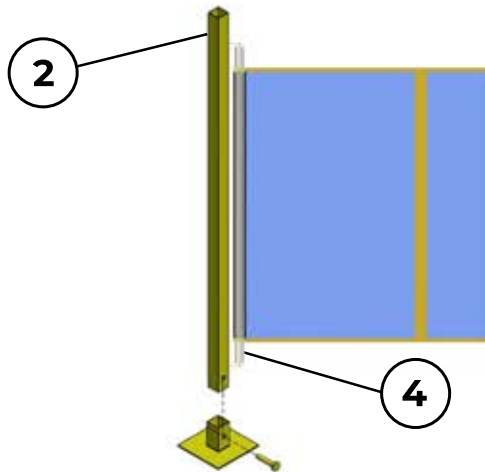
MOUNTING THE RETRACTABLE WELD SCREEN

Fixed Post Mounting

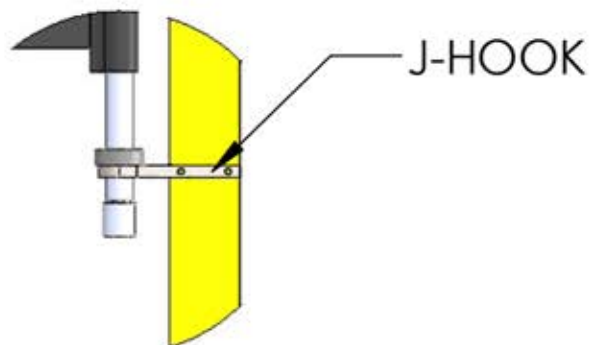
1. Mark and drill concrete floor per hole pattern of support post bottom plate using minimum 3/8" x 2" concrete anchors.
2. With the post on the ground, secure the screen to the post using Tek Screws.
3. Mount top of the bracket to the top of the post.
4. Turn upright.



5. Secure into bottom fixed base and secure with bottom bolt.



6. Pull curtain closed and locate where J-Hooks should be placed.
7. Secure J-Hooks with proper fasteners.

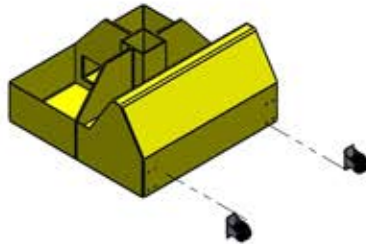


Parts List			
Item #	Part #	Description	Qty.
2	RT012	Aluminum Backing	1
4	RT014	Roller Tube	1

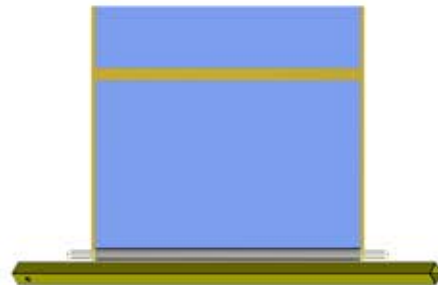
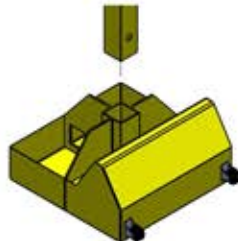
MOUNTING THE RETRACTABLE WELD SCREEN (FOR SB5000 MODEL, RETRACTABLE WELD SCREEN IS ALREADY ATTACHED TO THE POST)

Mobile Post Mounting

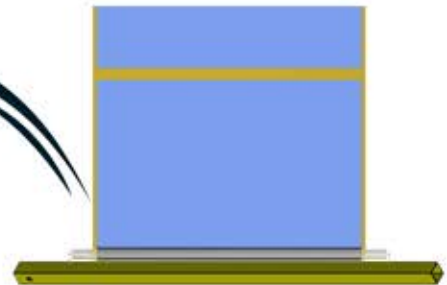
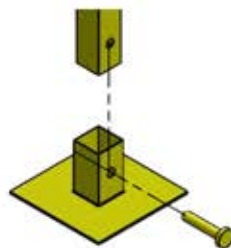
1. Fasten casters to the base with provided Tek Screws.



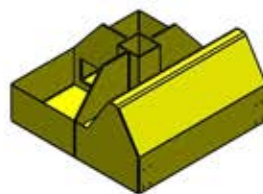
2. Fasten the unit to 8' post.



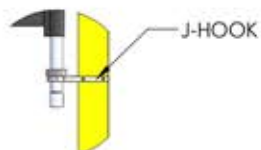
3. Turn post upright and insert the 8' post into the base.



4. Fill the bases with 1 - 20kg bag of concrete.



5. Pull curtain closed and locate where J-Hooks should be placed.



6. Secure J-Hooks with proper fasteners.

CURTAIN REPLACEMENT

Curtain Replacement

1. Remove fasteners from the grommets on the end bar
2. Remove the end caps and pull the end bar out while holding tension on the unit.
3. Slowly let the roller tube unwind.
4. Remove one of the roller brackets.
5. Pull the roller tube out of the other roller bracket and remove the curtain blade.
6. Attach new curtain blade to the roller tube.
7. Depending on curtain blade height and extension, put 12-15 revolutions on tube
8. Attach curtain to roller and attempt to roll up with a light tug. If curtain opens part way and stops, remove curtain and wind roller additional turns. If curtain opens too quickly, too much pretension has been applied. Carefully remove a couple revolutions of pretension. Repeat procedure until desired open tension is achieved.
9. Once tension is acceptable, insert the end bar and fasteners into the grommet holes

Troubleshooting

1. Curtain pulls too hard: Too much tension on roller, remove tension (see above)
2. Curtain pulls too easy: Not enough tension on roller, add tension (see above)

Mounting Options

